

WESTERBEKE 4.0 KW MARINE GASOLINE GENERATOR

A new, quiet, smooth running marine power-plant from Westerbeke

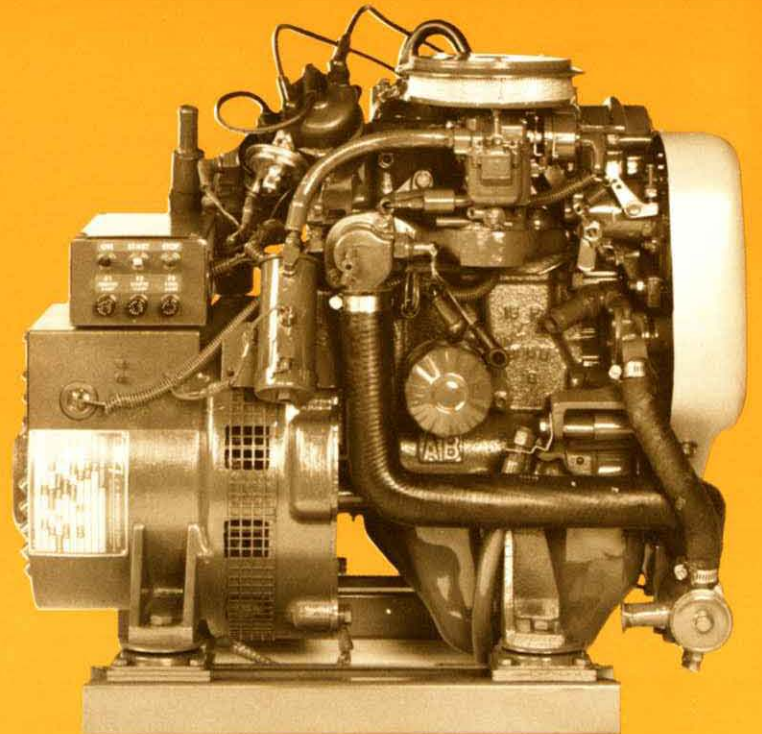
A small, reliable smooth running Generator Set for all your shipboard needs; electrical power at the turn of a switch for: Air Conditioning, Electric Cooking, Microwave Oven, Refrigeration, Cabin Appliances, Power Tools, and Navigation/Communication Equipment. Like all Westerbeke Generator Sets, it is fresh water cooled with an Engine mounted Heat Exchanger. The Engine and Generator are connected through special Drive Discs into a compact carefully aligned Generator Set. The complete unit is mounted on lightweight rails through soft flexible Isolator

Mounts that prevent the transfer of vibration. A lightweight removable Drip Tray is fitted under the unit between the mounting rails. The generator components meet the safety regulations of U.S. Coast Guard 33 CFR-183.

The Westerbeke 4.0 is lightweight, safe, dependable, durable, and economical to operate. Designed to operate at a quiet 1800 RPM, the Westerbeke 4.0 offers 2 cylinder, 4 cycle smoothness to provide electrical conveniences usually found only on larger boats.

WESTERBEKE 4.0 KW GASOLINE MARINE ENGINE GENERATOR SET

- SMOOTH AND QUIET TWO CYLINDER PERFORMANCE
- ENCLOSED FRESH WATER COOLING
- AUTOMATIC SAFETY SHUT-DOWNS
- SIMPLE ENGINE AND GENERATOR CONTROLS FOR RELIABILITY



STANDARD EQUIPMENT

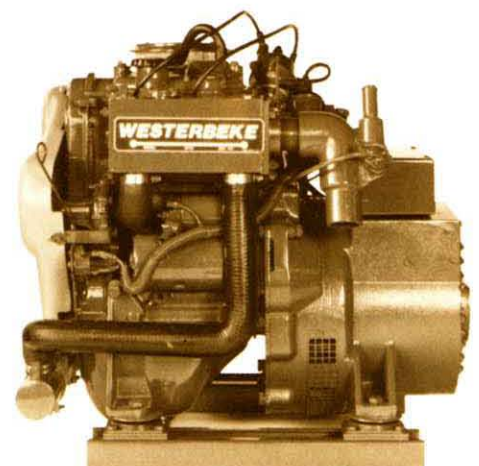
- Electric fuel lift pump
- Overspeed shutdown
- High water temperature shutdown
- Low oil pressure shutdown
- Lightweight mounting rails
- Vibration isolator mounts
- High exhaust temperature shutdown
- Belt guard
- Hoof speed governor
- Down draft carburetor
- Flame arrester (USCG approved)
- Water injected elbow
- Coolant recovery tank
- Lube oil drain hose
- Operator's manual
- Removable drip tray

OPTIONAL EQUIPMENT

- Remote control panel
- Ship/shore transfer switch
- Technical manual
- Hydro-Hush exhaust silencer
- Remote engine instruments
- Spare parts kit



Remote Control Panel and Remote Instrument Panels are available as optional equipment.



The 4.0 KW features very compact dimensions and simplicity of design.



GASOLINE GENERATORS: 4.0kw • 6.5kw • 8kw • 11kw

Fresh Water Cooled Diesel and Gasoline Generators from Westerbeke

WESTERBEKE 4.0 KW MARINE GASOLINE GENERATOR

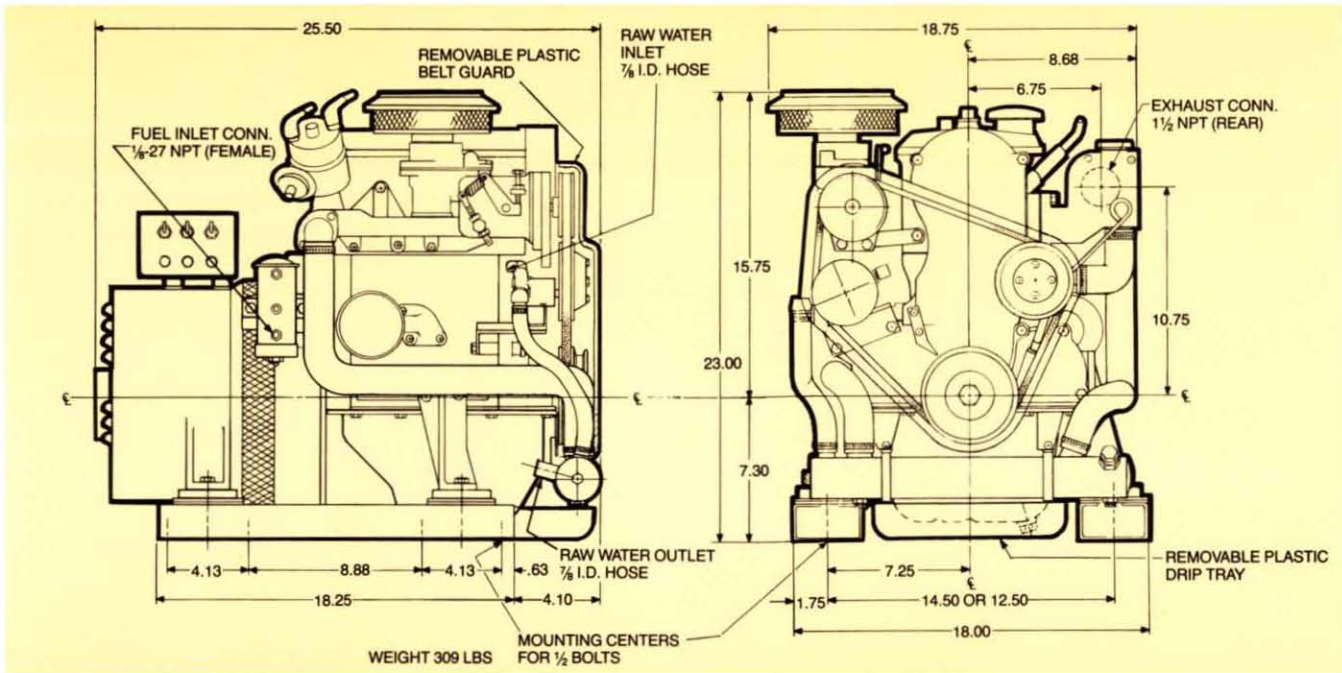
WESTERBEKE 4.0 KW

DESIGN: Brushless, four pole, revolving field, self regulating, pre-lubricated single bearing design.
VOLTAGE REGULATION: Standard $\pm 5\%$ no load to full load.
FREQUENCY REGULATION: 3 Hertz (5%) no load to full load. (Generator is capable of operation at either 50 or 60 Hertz by simple adjustments.)

INSULATION: Class "F" as defined by NEMA MG1-1.65.
TEMPERATURE RISE: Within NEMA MG1-22.40 definition when operating at full load.
COOLING: Cast centrifugal blower, direct connected.
RADIO INTERFERENCE LEVEL: Capacitors minimize interference within the limits of most marine applications.

ELECTRICAL CHARACTERISTICS						RATINGS		DERATINGS	ENGINE	
Model	Volts	Amps	Hertz	Phase	Wire	Power Factor	KW		RPM	Start
4.0-614*	120/240	54/27	60	1	4	1.0	4.0	3.5% each 1000 feet above sea level.	1800	Remote
3.0-514*	220	14	50	1	4	1.0	3.0	1% for each 10° Fahrenheit above 85° Fahrenheit ambient. 10% for continuous duty.	1500	Remote

*Reconnectable to 120 Volts @ twice the amperage.



A MODERN GASOLINE ENGINE

Power for the Westerbeke 4 KW Generator Set is provided by a modern two cylinder overhead cam gasoline engine that features high output, ultra low fuel consumption, and two balance shafts to virtually eliminate vibration and reduce sound levels.

Engine type 2 cylinder, 4 cycle
 Displacement 33.4 cu. in.
 Compression ratio 9:2
 Fuel Gasoline
 Block Cast iron
 Head Aluminum
 Valve system Single overhead cam belt driven
 Main bearings Three
 Carburetor Down draft type with U.S.C.G. approved flame arrestor
 Governor Hoof, flyball type, 5% speed regulation

Weight 309 lbs.
 Starting motor 12 volt negative ground
 Battery charging 10 amps
 Cooling system Fresh water through heat exchanger
 Full load fuel consumption Approx. 0.8 G.P.H.

Call your Westerbeke representative

or contact the



AVON INDUSTRIAL PARK, AVON, MA 02322-0181 • (617) 588-7700
 CABLE: WESTCORP, AVON • TELEX: 92-4444